



6230 McKinley St. NW
Suite E
Ramsey, MN 55442
651-777-1554

www.LiftNStore.com

Space, Safety and Security Solutions

Tilt N Store Installation Manual

Unique patented Design Creates Space and Improves Security



Tilt N Store Installation Manual

Table of Contents

What is the Tilt N Store? _____	pg. 2
Safety Features _____	pg. 2
Tools Needed For Installation _____	pg. 3
Safety Warnings _____	pg. 3 - 4
Tilt N Store Bike Lift Diagram _____	pg. 4
Electrical Requirement _____	pg. 4
Frame Installation Instructions _____	pg. 5 - 10
Troubleshooting _____	pg. 10
Maintenance _____	pg. 10
Warrenty _____	pg. 11 - 12
Claim Form _____	pg. 13
Other Products _____	pg. 14 - 16
Disclaimer _____	pg. 17
Contact Us _____	pg. 17

What Is the Tilt N Store?



- The *Tilt N Store* is a versatile wall mounted storage lift driven by an electric motor or hand crank.
 - Can be used for the storage of clothing, bikes, and more.
 - Merchandise is securely and safely out of the way.
-

Safety Features

1. The gearbox and motor features a motor break that prevents the machine from coasting and free falling.
 2. The machine also features a seat belt re-tracker that will catch the load and preventing the machine from going into free fall.
 3. Machine also features a safety siren that allows people to hear when it is in motion.
-

Tools Needed for Installation



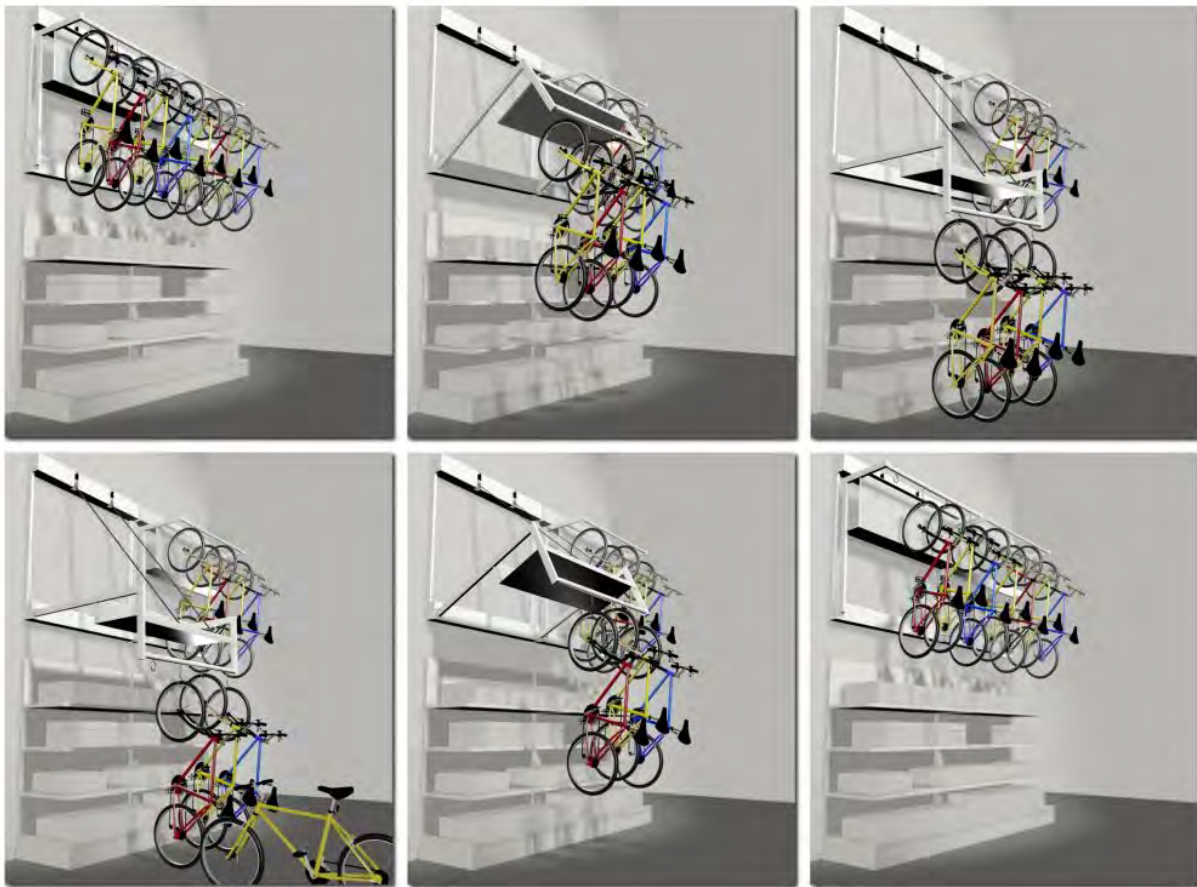
- Safety Glasses
- Work Gloves
- Reflective Safety Vest
- Caution Tape and Safety Cones
- 25-foot Tape Measure
- Cordless Impact Drill
- 3/8" Socket Drive
- 15/16" Wrenches or Ratchet/socket combo (2)
- 5/16" Wrench
- 4.5mm Allen Wrench
- 4mm Allen Wrench
- 3.5mm Allen Wrench
- T30 Star Drive
- 2-foot (minimum) long level

Safety Warnings

- Do not exceed maximum rated weight limit of 300 lbs.
- Keep areas under the *Tilt N Store* clear and open when operating. Do not allow people to walk under the *Tilt N Store* while it is running. Use of traffic cones or barricades may be required when using the *Tilt N Store*.
- Always watch the Hang Bar when raising or lowering.
- Do not climb on, hang from, or play on any part of the *Tilt N Store*. This machine is designed to hold merchandise only, not humans.
- Keep all controls away from children.
- The *Tilt N Store* safety systems are not to be bypassed or circumvented. The purchaser is responsible for purchasing the *Tilt N Store* with applicable safety features required by their given area and fulfills their particular needs.
- Any repair or adjustment must be performed by qualified maintenance personnel.

- Before any repair or adjustment are made all hanging items or loads must be removed.
- When not in use, the Hang Bar should be left in the full 'UP' position. This will prevent people from bumping into the hanging goods.
- If you hear a snapping sound and see jerking, STOP the *Tilt N Store* immediately. Cut power and call maintenance.
- Failure to follow safety and operational rules will void all warranties.

Tilt N Store Bike Lift Diagram



Electrical Requirement

The *Tilt N Store* requires 120 Volts, 60Hz and 12 gage wire with a 20 Amp Breaker to safely operate.

Frame Installation Instructions

The following steps below provide you with the instructions necessary to complete the *Tilt N Store* installation.

➤ Determining which type of Screw to use

Cement Walls:

Install 2x6 ledger board on the top and bottom where the mounting bracket will attach using Tapcon screws.

Wooden Stud Walls:

Install 2x6 ledger board on the top and bottom where the mounting bracket will attach using lag screws.

Metal Walls:

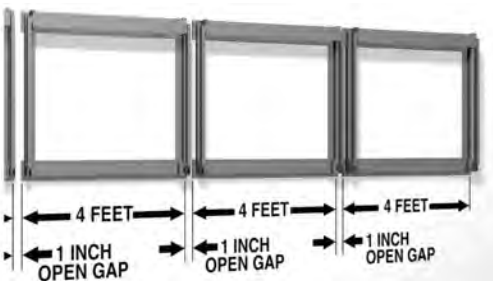
Install 2x6 ledger board on the top and bottom where the mounting bracket will attach using 1/4" - 14x4" tek screws.

➤ Snap Line



The snap line will mark where the bottom of the *Tilt N Store* Frame will be. For normal setups your snap line should be at a predetermined height. Your actual height may be different.

➤ Space Between Machines

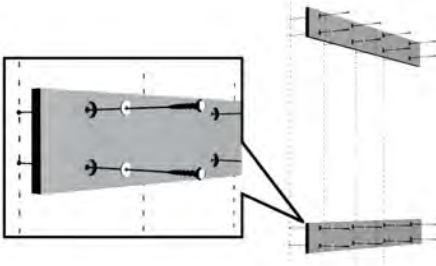


Leave a one inch open space between every *Tilt N Store* frame.

Note: If you are mounting several in a row, you will probably want to use long 2x6 boards instead of several shorter boards.

Special note: If you ever intend to change these units over to use 4 or 6 foot hangbars, you will want to leave 13 inches between each unit.

➤ **Mounting 2x6 Ledger Board to Stud Wall**



Important: Make sure you check with your construction expert to make sure you mounting to a wall of high quality.

1. Use a stud finder to locate the studs you will be mounting to.
2. Mark each 2x6 for drilling. Use 8 lag bolts along with 8 flat washers to mount every 2x6.
3. Counter sink the holes big enough for the flat washers and deep enough to contain the bolt heads.

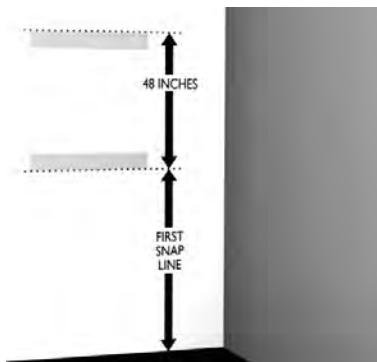
Note: Please see the section titled “determining which type of screw to use” if you are installing the Tilt N Store on a different style wall.

How to mount the lower 2x6:

Your snap line should be 72 inches off the floor. Use this snap line for the lower edge of your lower 2x6.

How to mount the upper 2x6:

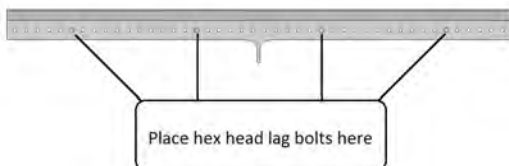
Measure up 48 inches to get your second snap line. This snap line will be for the top edge of the upper 2x6.



The TiltNStore Frame will mount flush with the *bottom* edge of this 2x6.

Note: Use your level to make sure you are mounting the 2x6 ledger board straight and level.

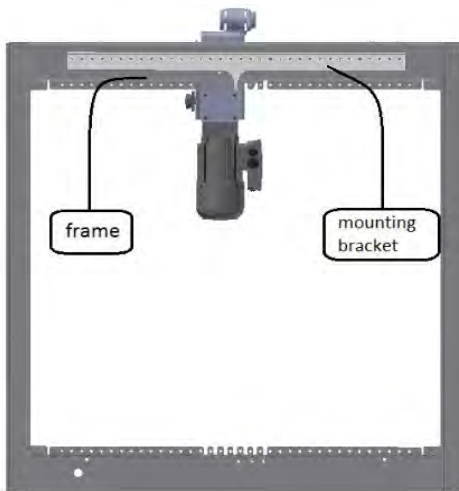
➤ **Placing the Mounting Brackets on the top 2x6**



Place the mounting bracket level and 2.5 inches in from the end of the 2x6 with the mounting bracket top held *flush* to the *top* of the 2x6 ledger board.

For each bracket, use 4 equally spaced hex head lag bolts to secure the mounting brackets level and to the ledger board.

➤ **Hanging the Tilt N Store**

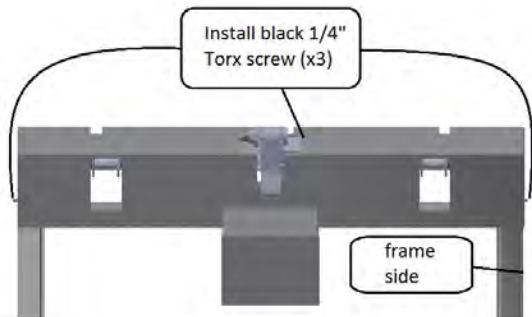


Once the mounting brackets are securely fashioned to the top and bottom ledger boards, lift the *Tilt N Store* above the mounting brackets and slide the frame down until it catches on the brackets. The tongue of the Mounting Brackets can be placed in any of the cut out positions on the frame to allow easy placement of each *Tilt N Store*.

Once the mounting bracket tongue is placed in the desired location on the *Tilt N Store*, Secure the *Tilt N Store* to the ledger board using 4 hex head lag bolts for the top and 4 hex head lag bolts for the bottom.

Note: Ensure that the Tilt N Store is level when installed.

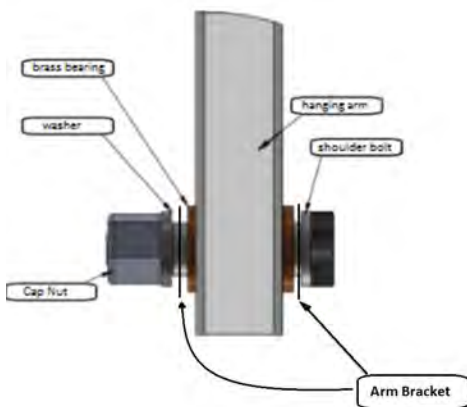
➤ **Installing the Motor/Drive Assembly Cover**



The Motor/Drive Assembly Cover should be placed over the top of the *Tilt N Store* Top Frame piece and motor.

Secure the Assembly cover by installing 3 black 1/4" Torx screws.

➤ **Attaching Hanging Arms to the frame**

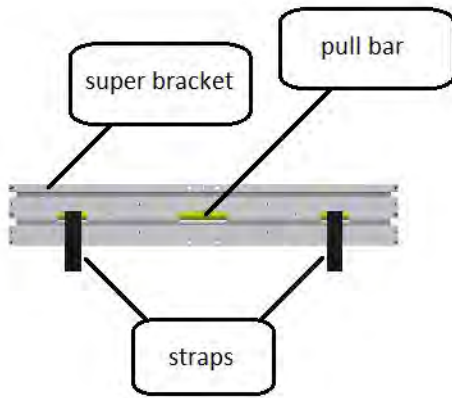


Tap in 2 brass bearings on either side of each hanging arm.

Next, place the hanging arm into the arm bracket and slide the shoulder bolt through to secure the hanging arm to the frame.

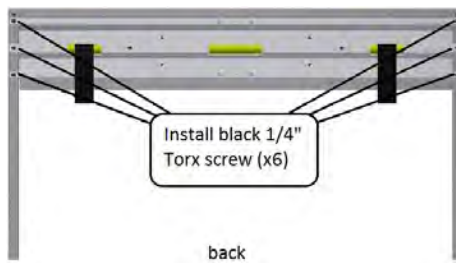
Once the shoulder bolt is through, place a washer over the threaded end and install the cap nut.

➤ **Connecting Straps to the Super Bracket**

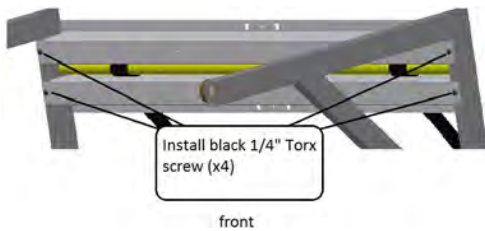


Loop the straps around the pull bar as you slide the pull bar into the super bracket.

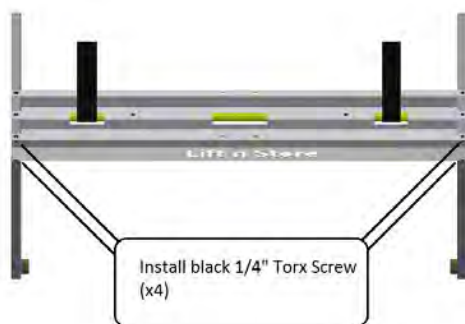
➤ **Mounting the Super Bracket to the Hanging Arms**



Attach the hanging arms to the Super Bracket near the top of the hanging arms by lining up the screw holes and securing the super bracket by installing 6 black 1/4" Torx screws on the back and 4 black 1/4" Torx screws on the front of the super bracket.



➤ **Mounting the Nameplate**



With the super bracket installed on the hanging arms, you can install the nameplate. The nameplate attaches to the top of the hanging arms and super bracket and is held on by 4 black 1/4" Torx screws.

➤ **Mounting the Super Bracket Cover**

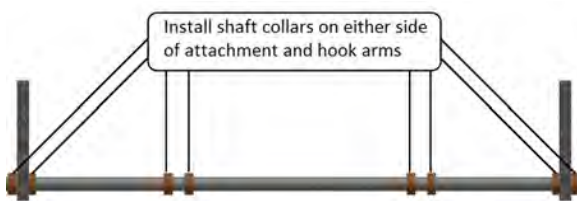
The Super Bracket Cover is installed on the load side of the *Tilt N Store*. It is attached by 8 ¼" Torx screws as shown on the left.



➤ **Mounting Hang Bar and Load Attachment**

When installing the hang bar, place shaft collars on either side of the attachment and on either side of each hanging arm.

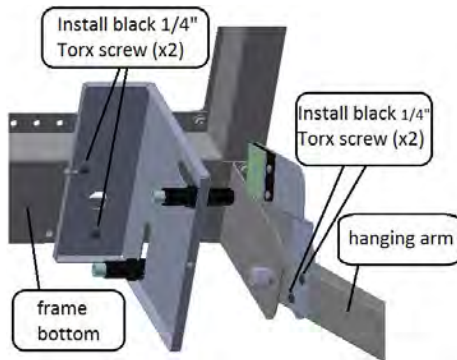
NOTE: Ensure that the attachment is centered



➤ **Mounting and Adjustment of Eye Sensors and Reflector**

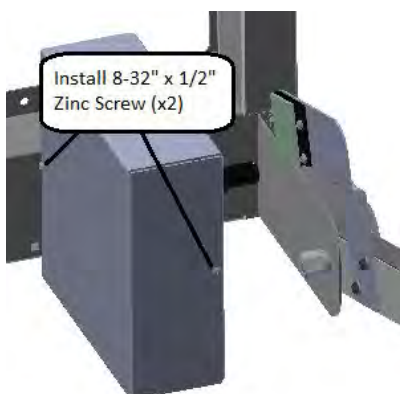
Mount the Eye Sensor box to the lower frame on the side with the wire hole by installing 2 black ¼" Torx screws.

Attach the reflector arm to the hanging arm by installing 2 black ¼" Torx screws.



➤ **Installing Eye Sensor Cover**

Mount the Eye Sensor cover to the Eye Sensor box by placing the cover over the eye sensor box as shown on the left and installing 2 Zinc Screws.



➤ **Where to Mount the Control Box**

The control box should be mounted at a location with the *Tilt N Store* in plain sight and hardwired in by an electrician.

➤ **Wiring Motor and Eye Sensor to Control Box**

Wiring from the motor and eye sensors to the control box must be completed by a certified electrician.

Troubleshooting

Problem: The machine will not run.

Solution: Call maintenance and have them check:

1. *The Control Box is receiving power.*
2. *The Tilt N Store motor and eye sensor are securely fashioned in the correct location of the control box.*
3. *If the problem persists call us directly at 651-777-1554.*

Problem: The machine will not go up completely.

Solution: Call maintenance and have them check:

1. *Ensure that there is not excess glare coming from any part of the reflector arm to the eye sensors*
2. *The Tilt N Store may be overloaded. The maximum load for the Tilt N Store is 250-300 pounds depending on wall. Remove the load and try again.*
3. *If the problem persists call us directly at 651-777-1554.*

Maintenance

Your *Tilt N Store* requires no lubrication or other maintenance. Periodically check the nylon Hang Straps and look for wear, cuts or abrasion.

Warranty

Five Year Mechanical Warranty

Five Year Limited Mechanical Warranty for the *Tilt N Store*.

Lift and Store, LLC. ("L&S" herein) guarantees its mechanical components to be free from defects in materials and workmanship under the service for which they are intended. L&S will repair or replace without charge any parts or products which are found to be defective within one (1) year from the date of shipment or, at the option of L&S, will refund the purchase price. This does NOT include labor, or travel expenses related to labor, after one (1) year from the date of installation.

Exclusions of Other Warranties: The warranty described in the above paragraph shall be IN LIEU OF any other warranty, expressed or implied, including but not limited to, any implied warranty of MERCHANTABILITY or fitness for a particular purpose.

Extent of Warranty: This warranty extends only to the original purchaser of our product. The warranty terminates upon any transfer of ownership, moving or reinstallation of this Machine.

Acts Invalidating Warranty: This warranty is void if the purchased product has been subjected to alteration, misuse, abuse, damage by others, Acts of God, or if normal maintenance has not been provided.

Items Specifically Excluded from this Warranty:

Fuses or circuit breakers.

Damage caused by overloading of equipment by customer.

Damage caused by installation or moving of equipment or accessories by others.

Damage or injuries caused by failure to follow all safety procedures in this manual or subsequent technical bulletins.

Claim Notification: See the Claim Notification Form on page 15. Purchaser must notify L&S in writing within five (5) working days of any occurrence to receive relief under the terms of the warranty. Failure to notify L&S in writing may invalidate warranty.

Limitation of Remedies: By purchasing L&S's products, the purchaser agrees with L&S that the purchaser's sole and exclusive remedy shall be for the repair or replacement of defective parts or products, without charge. The purchaser agrees that no other remedy (including but not limited to incidental or consequential damages for lost profits, lost sales, injury to person or property, or any other incidental or consequential loss) shall be available to purchaser.

One Year Electrical Warranty

One Year Limited Electrical Warranty for the *Tilt N Store*.

Lift and Store, LLC. ("L&S" herein) guarantees its electrical components to be free from defects in materials and workmanship under the service for which they are intended. L&S will repair or replace without charge any parts or products which are found to be defective within one (1) year from the date of shipment or, at the option of L&S, will refund the purchase price. This does NOT include labor, or travel expenses related to labor, after one (1) year from the date of installation.

Exclusions of Other Warranties: The warranty described in the above paragraph shall be IN LIEU OF any other warranty, expressed or implied, including but not limited to, any implied warranty of MERCHANTABILITY or fitness for a particular purpose.

Extent of Warranty: This warranty extends only to the original purchaser of our product. The warranty terminates upon any transfer of ownership, moving or reinstallation of this Machine.

Acts Invalidating Warranty: This warranty is void if the purchased product has been subjected to alteration, misuse, abuse, damage by others, Acts of God, or if normal maintenance has not been provided.

Items Specifically Excluded from this Warranty:

Fuses or circuit breakers.

Damage caused by overloading of equipment by customer.

Damage caused by installation or moving of equipment or accessories by others.

Damage or injuries caused by failure to follow all safety procedures in this manual or subsequent technical bulletins.

Claim Notification: See the Claim Notification Form on page 15. Purchaser must notify L&S in writing within five (5) working days of any occurrence to receive relief under the terms of the warranty. Failure to notify L&S in writing may invalidate warranty.

Limitation of Remedies: By purchasing L&S's products, the purchaser agrees with L&S that the purchaser's sole and exclusive remedy shall be for the repair or replacement of defective parts or products, without charge. The purchaser agrees that no other remedy (including but not limited to incidental or consequential damages for lost profits, lost sales, injury to person or property, or any other incidental or consequential loss) shall be available to purchaser.

Claim Form

Claim Notification Form

If you need this form, please make a copy of it.

Do not remove this page from the manual.

Fax, mail or email this form to:

Lift and Store, LLC, 6230 McKinley St NW, Ramsey, MN 55303 USA

Email: parts@liftnstore.com | Fax: 651-777-1535

Failure to file this Claim Notification Form within five (5) days of the occurrence will void your warranty.

Serial Number: VB _____

Today's Date: _____

Date of Occurrence: _____

Submitted by

Your Name: _____

Title: _____

Company: _____

Street Address: _____

City, State and Zip: _____

Phone: _____

Fax: _____

Contact Email: _____

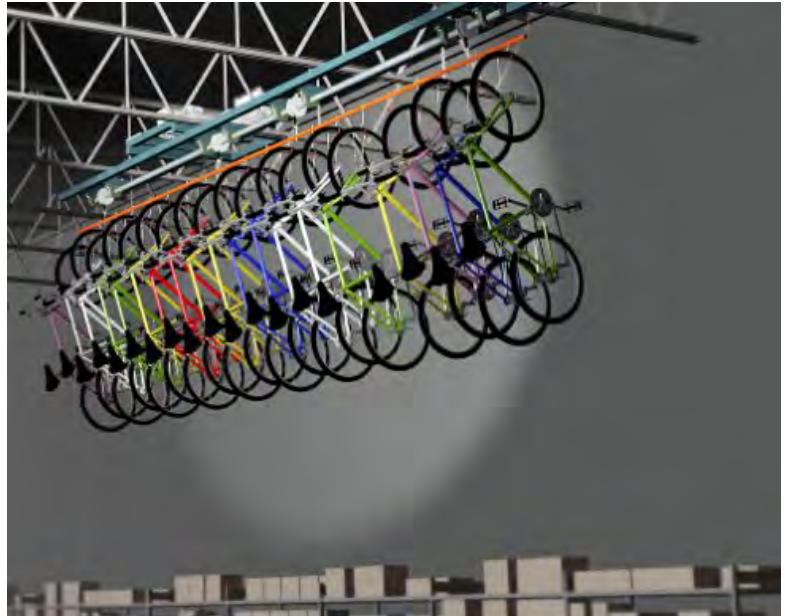
Description of Problem: _____

Notes:

Other Products

Overhead Bike Lift:

- The Overhead Bike Lift is a ceiling mounted storage lift that is driven by an electric motor.
- Can be used to store up to 10 bikes on a single bar to reveal valuable space.
- Multiple extensions and accessory options available to ensure all of your merchandise is securely and safely out of the way.



Overhead Boat Lift:

- The Overhead Boat Lift is a ceiling mounted storage lift that is driven by an electric motor.
- Can be used to store up to eight canoes or kayaks to reveal valuable space.
- Merchandise is securely and safely out of the way.



Overhead Tire Lift:

- The Overhead Tire Lift is a ceiling mounted storage lift that is driven by an electric motor.
- Can be used to safely store up to 11 car tires on a single eight foot section.
- Multiple extension options available to ensure all of your merchandise is securely and safely out of the way.



Overhead Garment Lift:

- The Overhead Garment Lift is a ceiling mounted storage lift that is driven by an electric motor.
- Can be used to safely store up to 80 garments single 12 foot bar.
- Multiple extension options available to ensure all of your merchandise is securely and safely out of the way.



Disclaimer

Lift & Storage Systems, Inc. is not responsible for injury or damage if the *Tilt N Store* is overloaded, improperly loaded, merchandise has not been secured to the bar, or merchandise hooks are not in the locked position.

Contact Us

6230 McKinley St. NW

Suite E

Ramsey, MN 55442

651-777-1554

www.LiftNStore.com

Space, Safety and Security Solutions